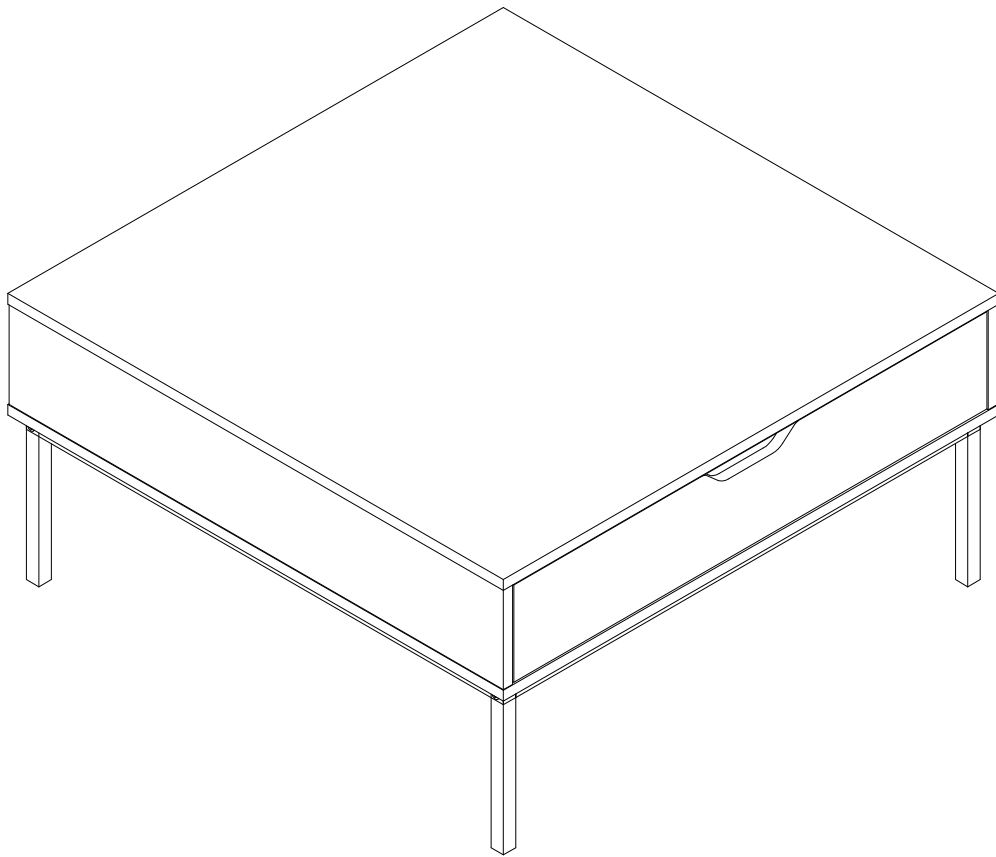
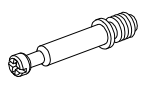
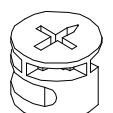

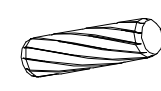
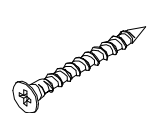
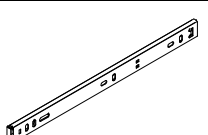
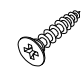
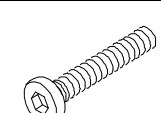
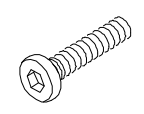
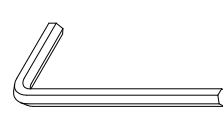


COFFEE TABLE

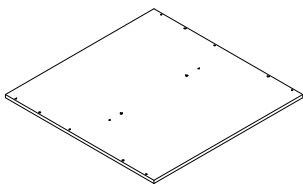


ASSEMBLY INSTRUCTION

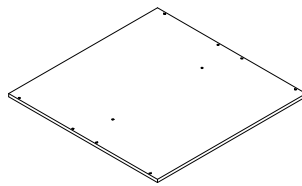
HARDWARE LIST

A		B		C		D	
16 pcs	M6×35mm	16 pcs	Ø15×12mm	10 pcs	M7×38mm	16 pcs	Ø7.8×30mm
E		F		G		H	
6 pcs	M4×35mm	2 pcs	285mm	8 pcs	M3.5×14mm	4 pcs	M6×40mm
I		J					
8 pcs	M6×30mm	1 pc	4mm				

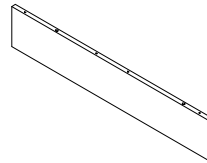
PARTS LIST



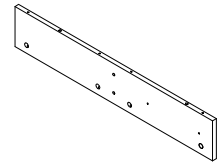
1 - 1pc



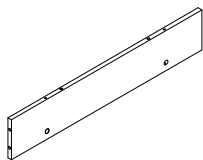
2 - 1pc



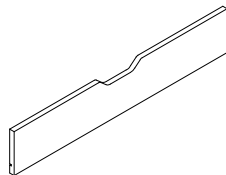
3 - 1pc



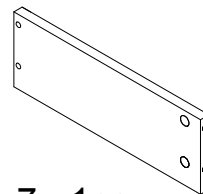
4 - 1pc



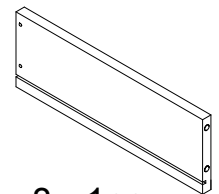
5 - 1pc



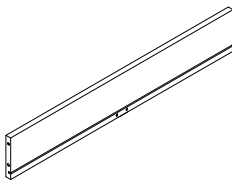
6 - 1pc



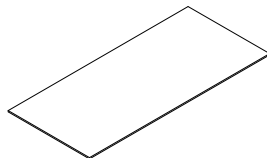
7 - 1pc



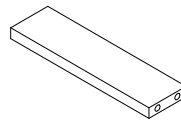
8 - 1pc



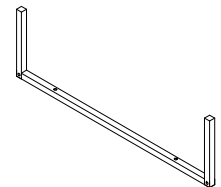
9 - 1pc



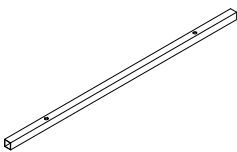
10 - 1pc



11 - 1pc



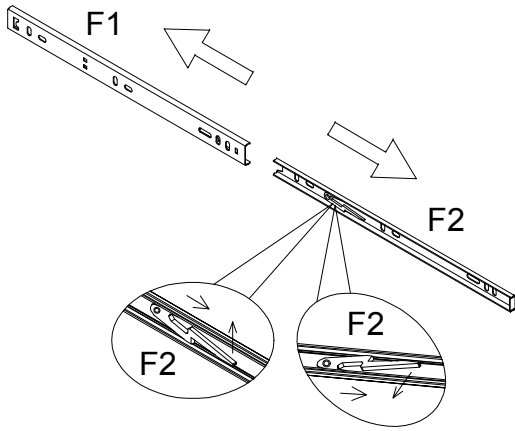
12 - 2pcs



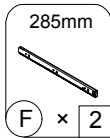
13 - 2pcs

ASSEMBLY STEPS

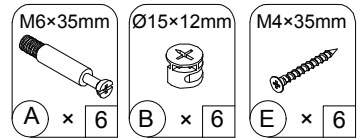
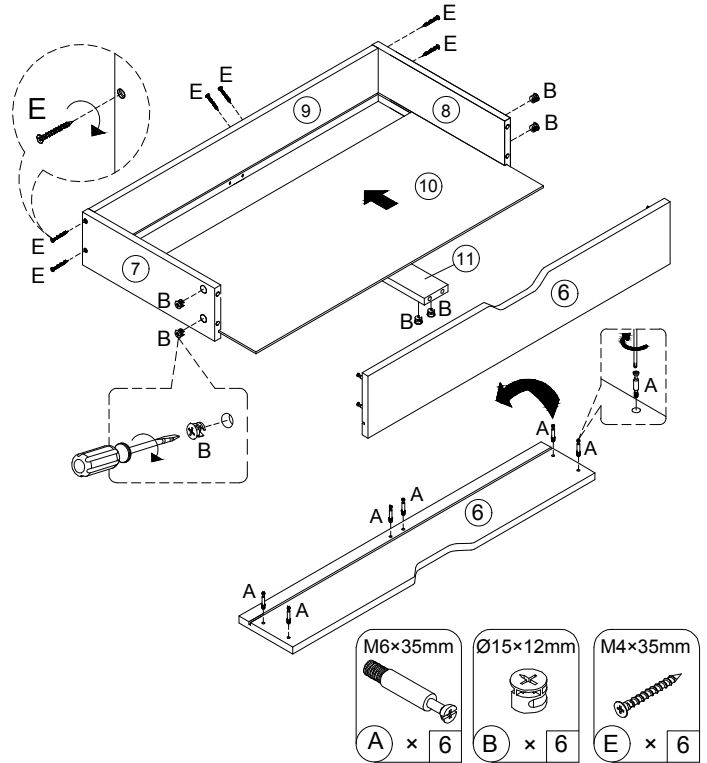
1 Pull part (F) separate into part (F1) and (F2), as shown.



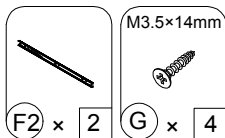
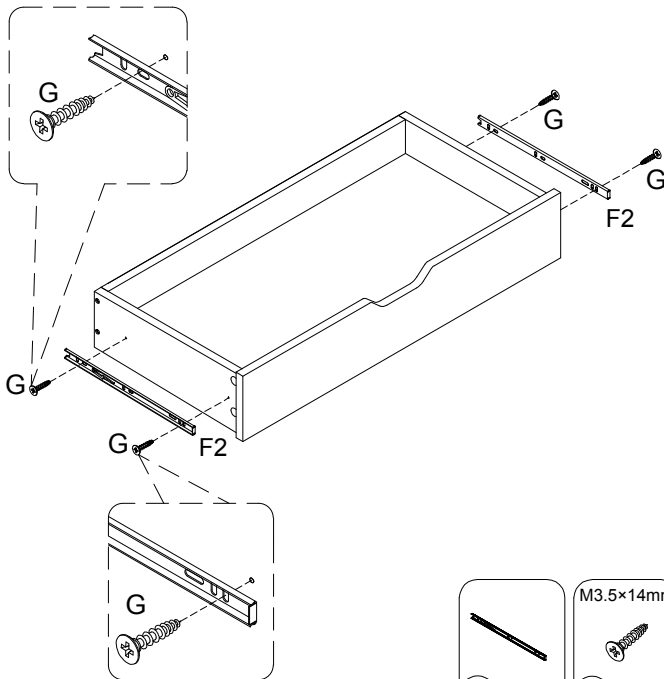
x2



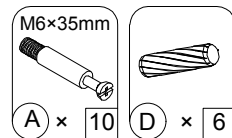
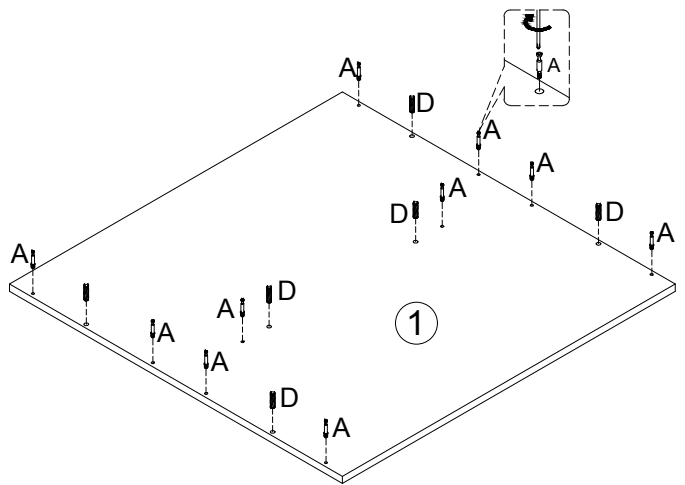
2 Insert quickfit screws (A) to part 6.
 Insert cam locks (B) to part 7, 8 and 11.
 Secure part 7 and 8 to the part 9 using screw (E).
 Secure part 9 to the part 11 using screw (E).
 Slide part 10 into grooves between parts 7 and 8.
 Fit part 6 to the part 7 and 8.
 Turn cam locks clockwise to tighten.



3 Fix inner drawer runner (F2) to assembled drawer using screw (G), as shown.



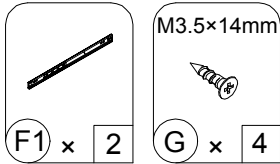
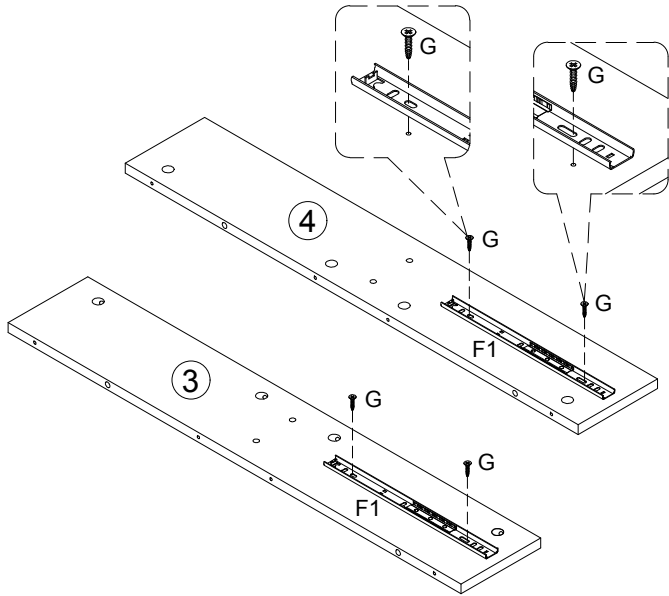
4 Insert quickfit screws (A) and wooden dowels (D) to part 1.



ASSEMBLY STEPS

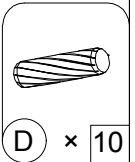
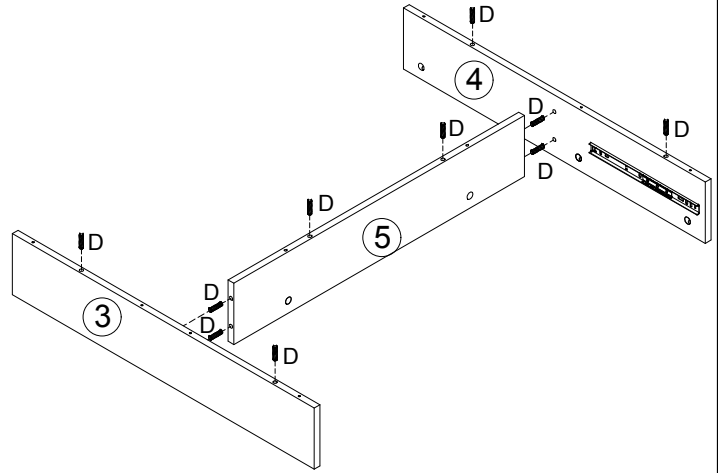
5

Fix outer drawer runner (F1) to part 3 and 4 using screw (G), as shown.



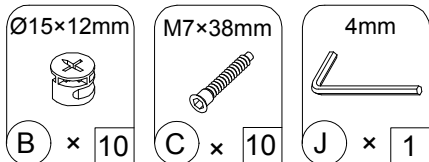
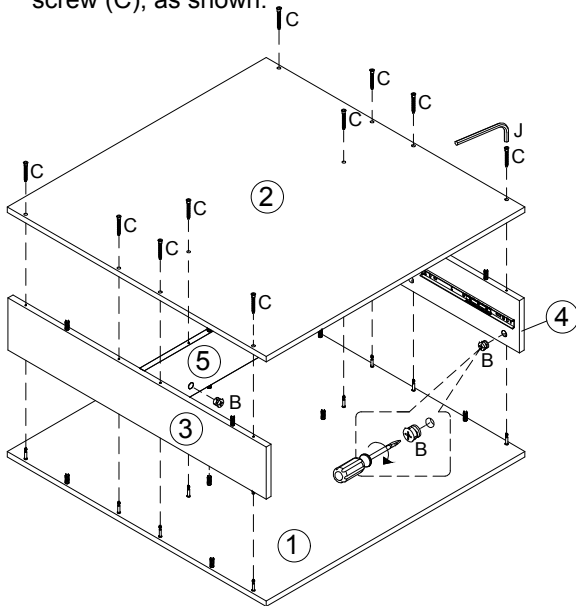
6

Insert wooden dowels (D) to part 3 and 5. Insert wooden dowels (D) to part 4 and 5. Fit part 5 to parts part 3 and 4, as shown.



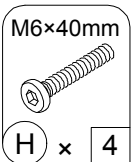
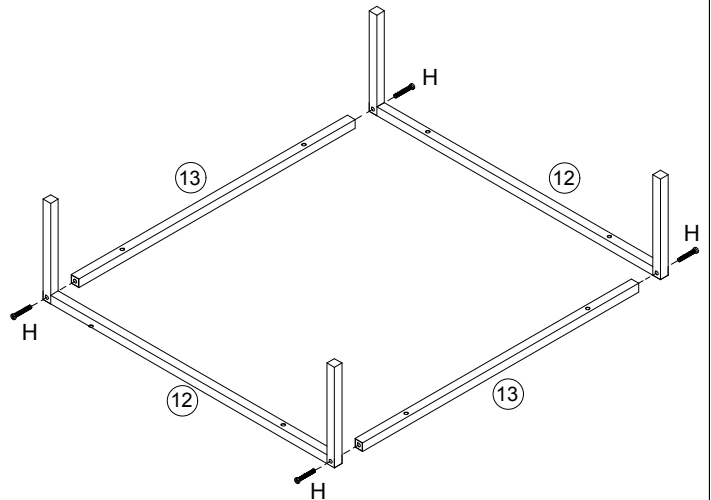
7

Insert cam locks (B) to parts 3 and 4 and 5.
Fit assembled parts 3 and 5 to part 1.
Fit assembled parts 4 and 5 to part 1.
Turn cam locks clockwise to tighten.
Fit part 2 to assembled parts 3 and 4 and 5.
Secure part 2 to assembled parts 3 and 4 and 5 using screw (C), as shown.



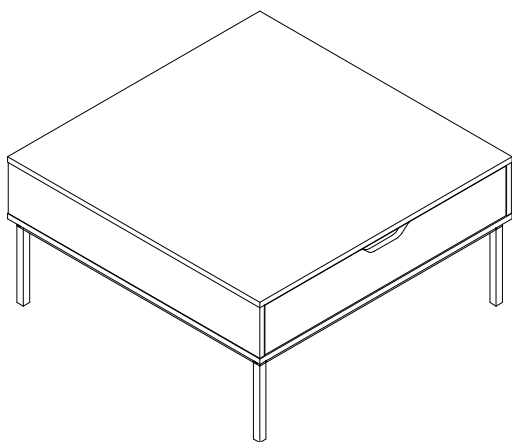
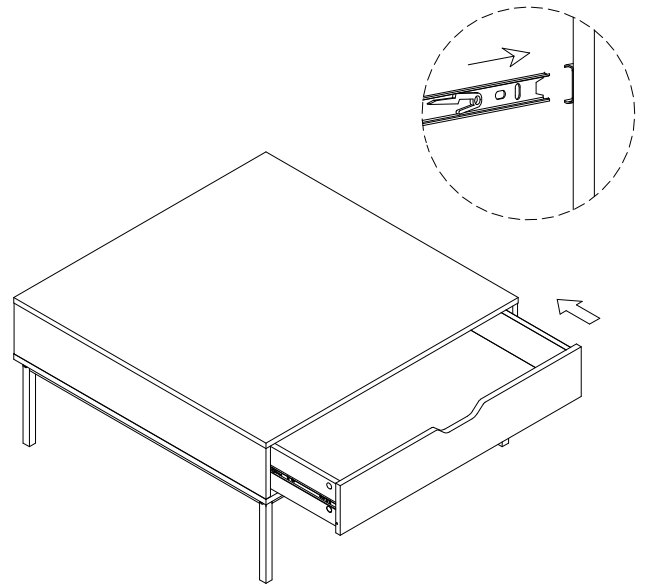
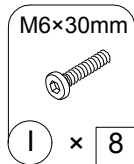
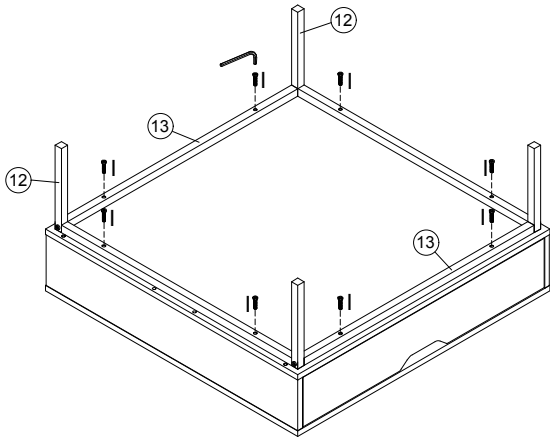
8

Fix parts 12 to parts 13 using screw (H), as shown.

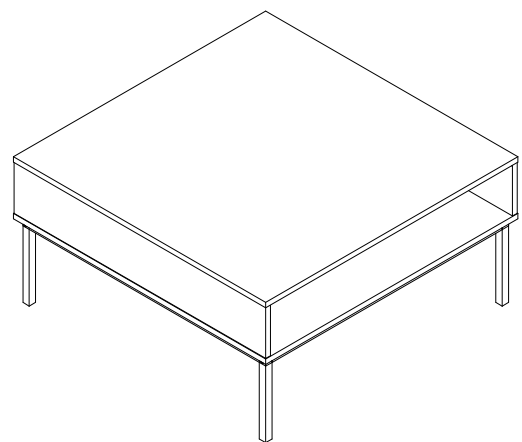


ASSEMBLY STEPS

- 9** Fix assembled parts 12 and 13 to assembled unit using screw (I), as shown.
- 10** Fit Drawer into the assembled unit.



Front View



Back View